

ALL 4 ONE  
ENGINEERING  
LIMITED

PRODUCT INFORMATION

Product Range



# FLASHING Systems

All One Engineering Limited

30 Dunlop Road  
Hunt End Industrial Estate  
Redditch  
B97 5XP  
Tel: 01527 401407  
Fax: 01527 401447

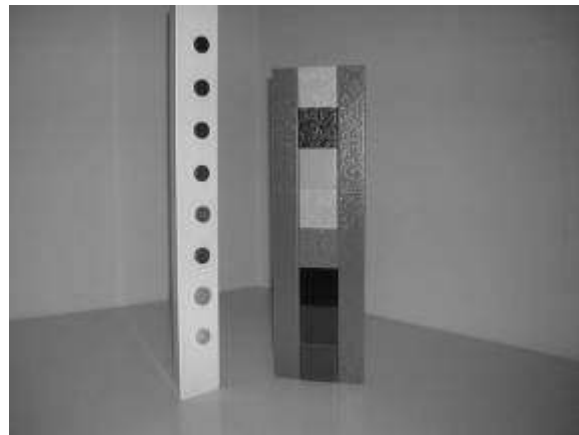


All One Engineering Ltd offers a complete flashing fabrication service from a full range of stock materials.

Flashings are made to order in standard 3000mm lengths with internal butt straps if required. They can also be manufactured up to 4000mm in length. Fabricated mitred corners, stop ends and intersections are also available to complement the service.

A full Range of colours and materials are available, these include;

- Leathergrain
- Hps200 Scintilla
- PVF2/Prisma
- Galvanized Steel
- Aluminium



## Galvanized Gutters and Insulated Gutters.



Galvanised box gutter, valley, boundary wall and insulated guttering are regularly manufactured systems in generally 3 metre lengths, but can be supplied up to 4 metres. The exact linear meterage run of gutter can be supplied.

Punched, joggled and spigot joints are added for convenience when installed. Bolt sets/clipnuts and mastic are supplied as standard. All other accessories such as outlets, stopends (welded or loose) and gutter brackets are also manufactured in house. Corners, tee sections, cross sections and transitions are also available.

# Fastrack Gutters

**For Industrial Buildings**

**All 4 One Engineering Ltd**

Save yourself time, money and improve appearance by using this system.

All we need to know is the linear meaterage, material colour, pitch of roof and type of roof sheets used and we will have the perfect gutter to suit the building.

Easy to manufacture and assemble.

No butt straps required.  
No tapering.

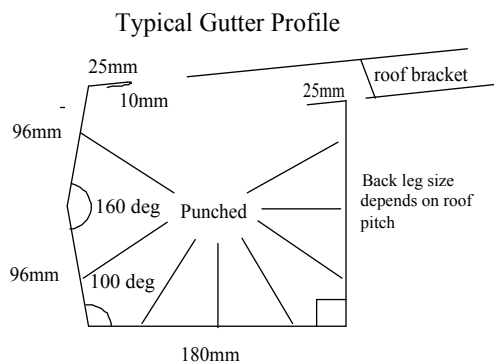
Less fixing time – with only one row of fixings per joint.  
No hidden costs.

No cutting or trimming of end piece with stop ends.

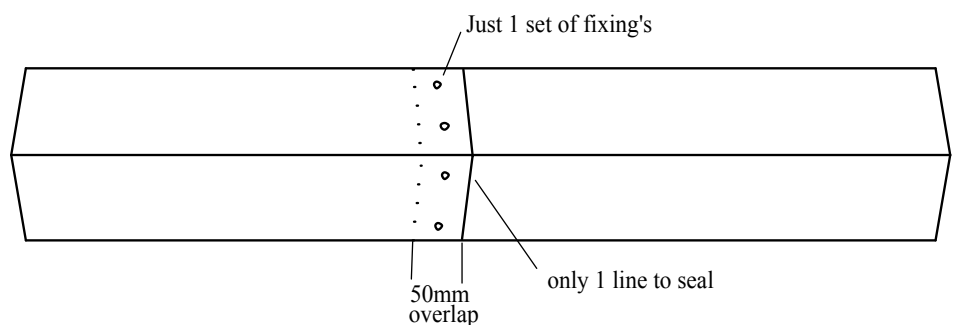
Very neat joints reducing risk of leakages.

Punched with 7mm diameter holes at each end to save even more time when fixing.  
M5 Stainless Steel  
Recommended bolt sets  
Provided.

For more details do not hesitate to contact us.

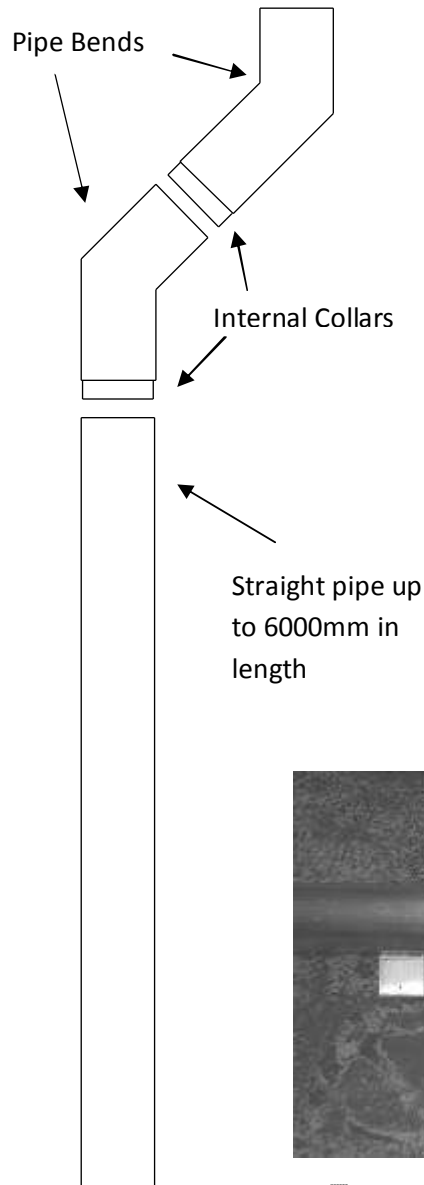


Gutter Lap Profile



# Rain Water Pipes

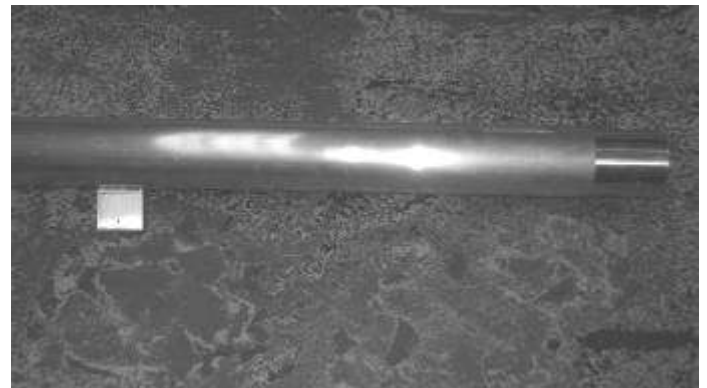
A full range of rainwater pipes and accessories are available in plastic coated steel, PVF2, or Aluminium. Pipes can be supplied with a full compliment of bend and offset detail together with rodding access points and shoes. Fixed and adjustable brackets are manufactured to suit individual requirements and a new internal collar system is available on all our rain water pipes.



Above is a 2.0mm aluminium ppc 9006 shoe complete with welded lug.



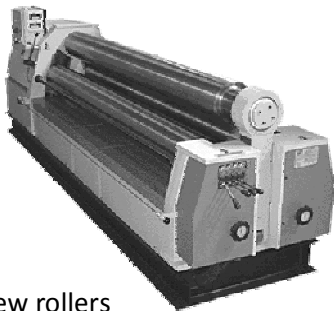
Above a mill finish aluminium outlet and below is an aluminium hopper box all manufactured in house.



Mill finish 2.0mm aluminium pipe complete with internal collars and welded lug for a more attractive look, as no collars or brackets are visible.



# Bullnose Systems



Our new rollers



The above picture is of a bullnose corner that was under manufacture and can be seen finished and fitted in the picture on the right.

Our bullnose products are available in aluminium, bullnoses can be powder coated in any colour. Fabricated corners, stop ends and intersections are also available to suit individual requirements.

If required we will attend site to help with the development of such products to meet ever demanding architectural needs of modern day construction.

All products are supplied with loose or industrially bonded butt straps for easy fixing on site. Along with the bullnose we also supply soffit panels to suit your requirements. Ask us for more details about our new fusion metallic colour range available for aluminium powder coating.



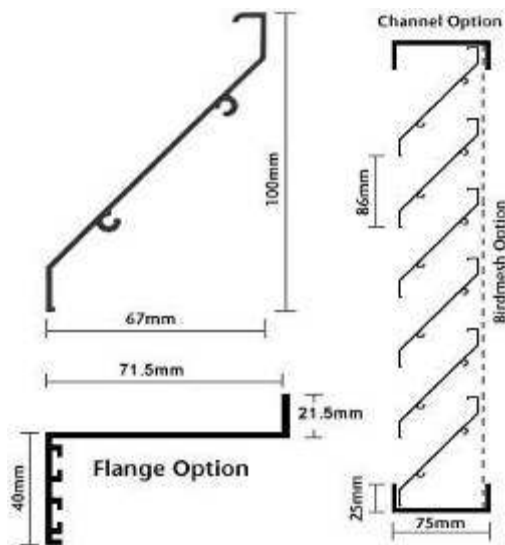
All 4 One Engineering Ltd provided the above bullnoses for the Odeon cinema in the Merry Hill Shopping centre in Brierley Hill, West Midlands. The bullnoses were manufactured in 2.0mm aluminium and powder coated in Ral 9006. They were fitted by SPV Roofing and Cladding.

# Louvre Systems

Louvres can be various sizes or material whether it's plastisol or aluminium powder coated or mill finish, and with or without bird/insect mesh.

These can be manufactured either box or frame type to suit fixing method. Size and depth of frame and blades can vary to suit.

Louvres are ideally used for plant rooms for ventilation. The louvres on the right was manufactured recently for the Holiday Inn Cardiff then fitted by SPV Roofing and Cladding (immediate right) and luxury apartments in Portsmouth and fitted by Ardmore Construction (far right).



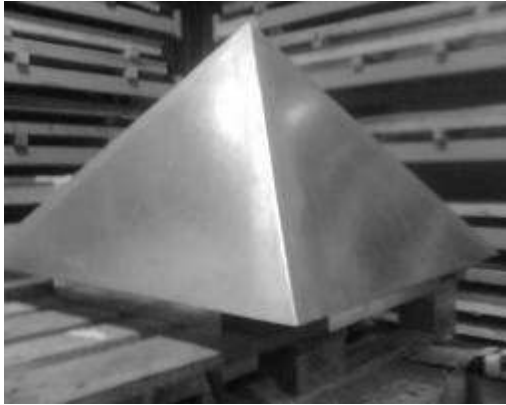
A cross-section of a typical louvre



All 4 One Engineering Ltd also specialise in the manufacture of louvre doors



# Special Fabrications

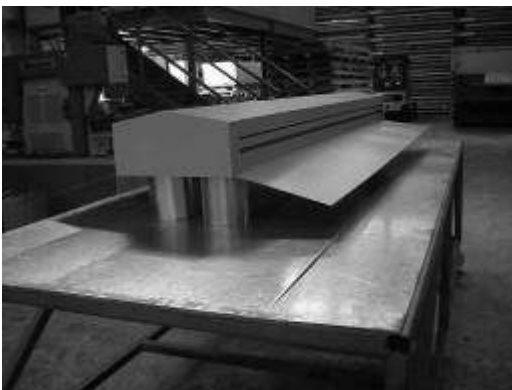
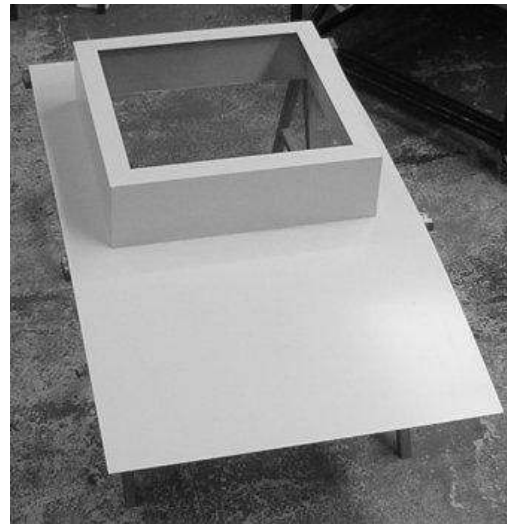


## China-man's hat

Square china-mans hat pipe cover, made from 1.5mm galvanized steel, which protects flues from precipitation. We have the capability of manufacturing round china-mans hats in both galvanized steel and aluminium.

## Soakers

Soakers are frequently made in our fabrication department. They can be manufactured in one or two piece dependant on size required, and can be made from plastisol, galvanised steel or aluminium.



Whether it's a ridge vent or stainless steel steps, All 4 One Engineering Ltd can manufacture it. If you require anything out the ordinary don't hesitate to give us a call.